

SPCRTORTNDR

Spacer kit for TORTNDR and TORTTNDR

Rear suspension package
Ensemble pour suspension arrière
Ensemble para suspensión de trasero

INSTALLATION INSTRUCTION

- Choose appropriate spacer to use to achieve desired ride height. There should be 1/2" - 1 1/2" gap between Timbren and contact pad. (Use either 1/2" spacer or 1" spacer or both)
- Assemble Aeon rubber spring and bracket with the appropriate spacer as shown in adjacent diagram.
- Mount assembly using supplied fasteners.
 - Use bolt #3 if 1/2" spacers are used.
 - Use bolt #4 if 1" spacers are used.
 - Use bolt #5 if both 1/2" and 1" spacers are used.
- Tighten bolts to 30-35 Ft. - lbs.

INSTRUCTIONS DE MONTAGE

- Choisissez l'entretoise appropriée à utiliser pour obtenir hauteur de caisse souhaitée. Il doit y avoir un écart de 1/2" à 1 1/2" entre Timbren et le plot de contact. (Utilisez une entretoise 1/2" ou espaceur 1" ou les deux)
- Assemblez le ressort en caoutchouc Aeon et le support avec l'entretoise appropriée comme indiqué dans schéma ci-contre.
- Montez l'assemblage à l'aide des fixations fournies.
 - Utilisez le boulon #3 si des entretoises de 1/2" sont utilisées.
 - Utilisez le boulon #4 si des entretoises de 1" sont utilisées.
 - Utilisez le boulon #5 si des entretoises de 1/2" et 1" sont utilisées.
- Serrez les boulons à 30-35 Ft. - lbs.

INSTRUCCIONES DE INSTALACIÓN

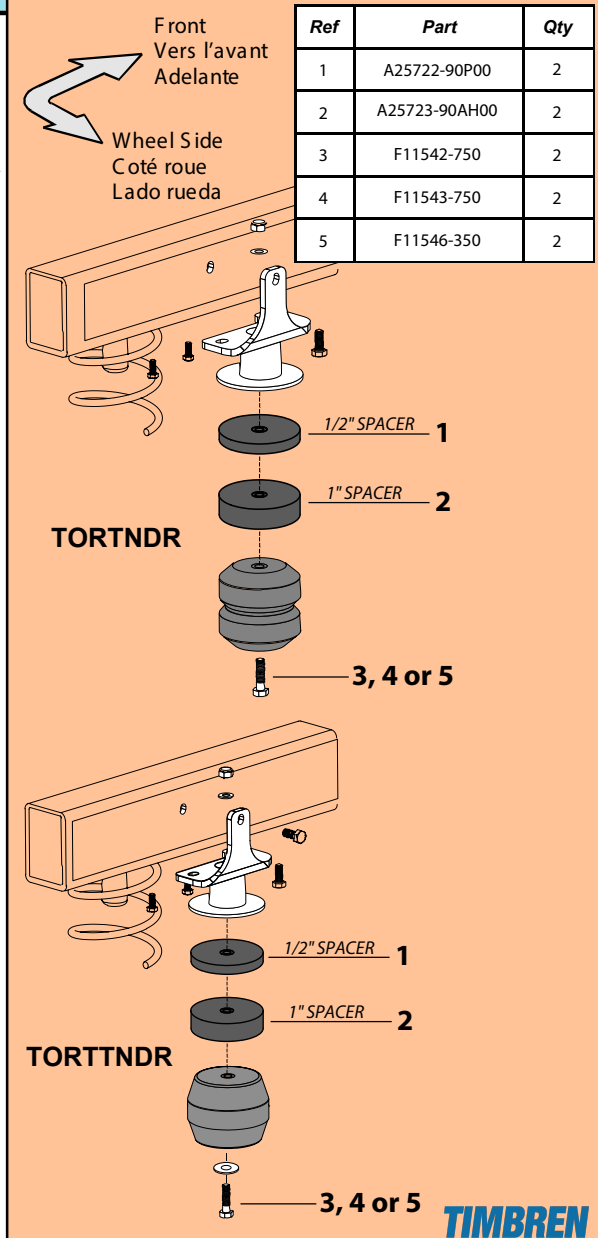
- Elija el espaciador apropiado para usar para lograr altura de manejo deseada. Debe haber un espacio de 1/2" a 1 1/2" entre el timbre y la almohadilla de contacto. (Utilice un espaciador de 1/2" o Espaciador de 1" o ambos)
- Monte el resorte de goma Aeon y el soporte con el espaciador apropiado como se muestra en diagrama adyacente.
- Monte el conjunto utilizando los sujetadores suministrados.
 - Use el perno #3 si se usan espaciadores de 1/2".
 - Use el perno #4 si se usan espaciadores de 1".
 - Use el perno #5 si se usan espaciadores de 1/2" y 1".
- Apriete los pernos a 30-35 pies. - libras.

Do not exceed vehicle manufacturer's recommended axle weight rating. Check for AEON® interference with vehicle components - Under load AEON® will "expand" in diameter.

Ne pas dépasser le poids nominal sur l'essieu recommandé par le fabricant du véhicule. Vérifier que le ressort AEON® n'a pas d'incidence sur d'autres pièces du véhicule - Le ressort AEON® augmentera son diamètre avec la charge.

No exceda la carga nominal en el eje recomendada por el fabricante del vehículo. Compruebe que no haya interferencia entre el resorte AEON® y los otros componentes del vehículo. Bajo carga, el resorte AEON® se amplía en diámetro.

Ref. = Reference = No. de référence = Núm. de referencia
Part = Part #. = No. de pièce = Núm. de pieza
Qty. = Quantity = Quantité = Cantidad



Clearance Instructions

Front SES kits are usually in full contact.

Rear SES kits for Light Duty Trucks and Cube Vans should have 1/2" to 1-1/2" gap between rubber spring and contact point when empty. A partial load, or vehicle accessories will reduce or eliminate gap.

Medium and Heavy-Duty Trucks, Trailers and Motorhomes will be in constant contact, and have no gap.

Lifetime Warranty

Timbren SES - Suspension Enhancement Systems kits are warranted against defects in material and workmanship, under normal use and service, for the life of the vehicle on which the kit was originally installed. The warranty is non-transferable and proof of the date of purchase and purchaser is required.

This warranty is limited to the replacement of the failed parts and does not include labor, freight, collateral damage or ancillary costs which may arise as a result of the failed part. For vehicles subjected to exceptionally high use and service, the warranty is limited to the lesser of 5 years (from date of purchase) or 400,000 km (approx. 250,000 miles).

Timbren retains the right to make its own inspection of the failed part to determine the validity of the claim. Timbren shall not be liable nor warrant the product in the event of alteration, misuse, overload, negligence nor damage caused by others

100 Day Money Back Guarantee

Timbren Industries offers a 100 Day Money Back Guarantee on all our SES and Active Off-Road Bumpstop products. If our product does not do what we claim it can do call our expert Customer Service Team. 1-800-263-3113 or email sales@timbren.com. Our team will do they're absolute best to resolve your issue and get you towing and hauling like the pros or your money back.

